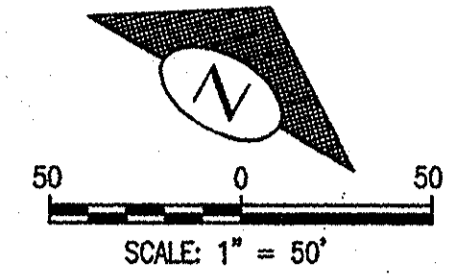


PRELIMINARY PLAT OF SUNNYSIDE HEIGHTS, ADDITION NO. 10

LOTS 1 THROUGH 30

S.W. 1/4 OF SECTION 6, T.14N., R.45E., W.M.,
WHITMAN COUNTY, STATE OF WASHINGTON,
CITY OF PULLMAN



- LEGEND**
- SANITARY SEWER MAIN
 - SANITARY SERVICE
 - STORM DRAIN MAIN
 - STORM DRAIN SERVICE
 - STORM DRAIN PIPE OUTLET
 - WATER MAIN
 - WATER SERVICE
 - HORIZONTAL BEND W/ THRUST BLOCK
 - CATCH BASIN
 - SSMH/SDMH
 - ⊕ GATE VALVE
 - FIRE HYDRANT
 - ▨ CEM CONC WALK
 - ASPHALT PAVEMENT

FLOOD ZONE DESIGNATION:

FLOOD ZONE C
PANEL NUMBER 530205 0680 B
PANEL 680 OF 850

LAND USE ZONE DESIGNATION

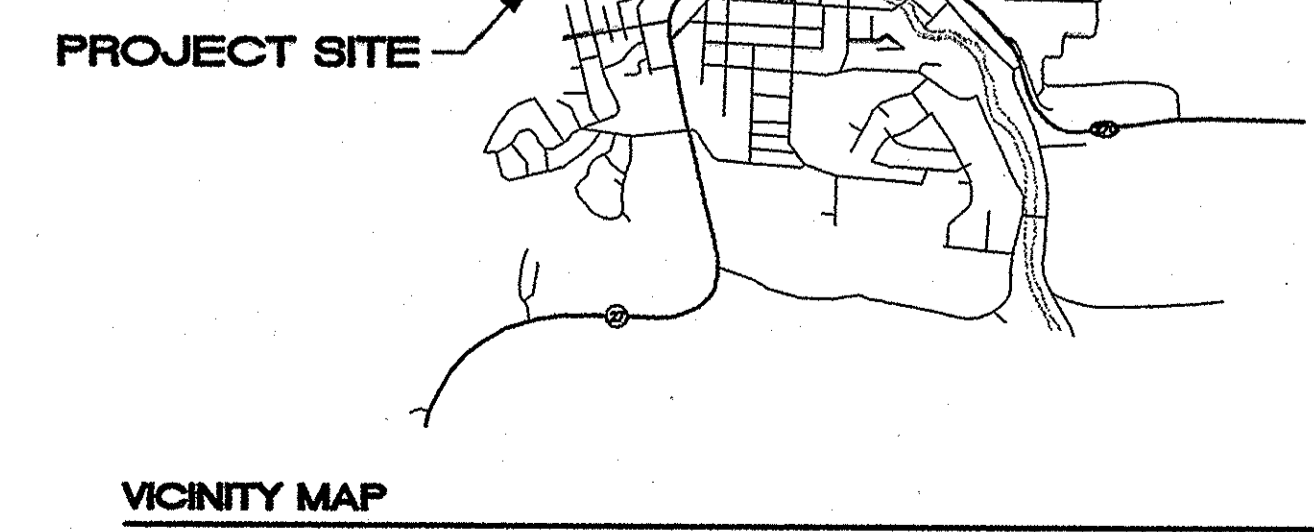
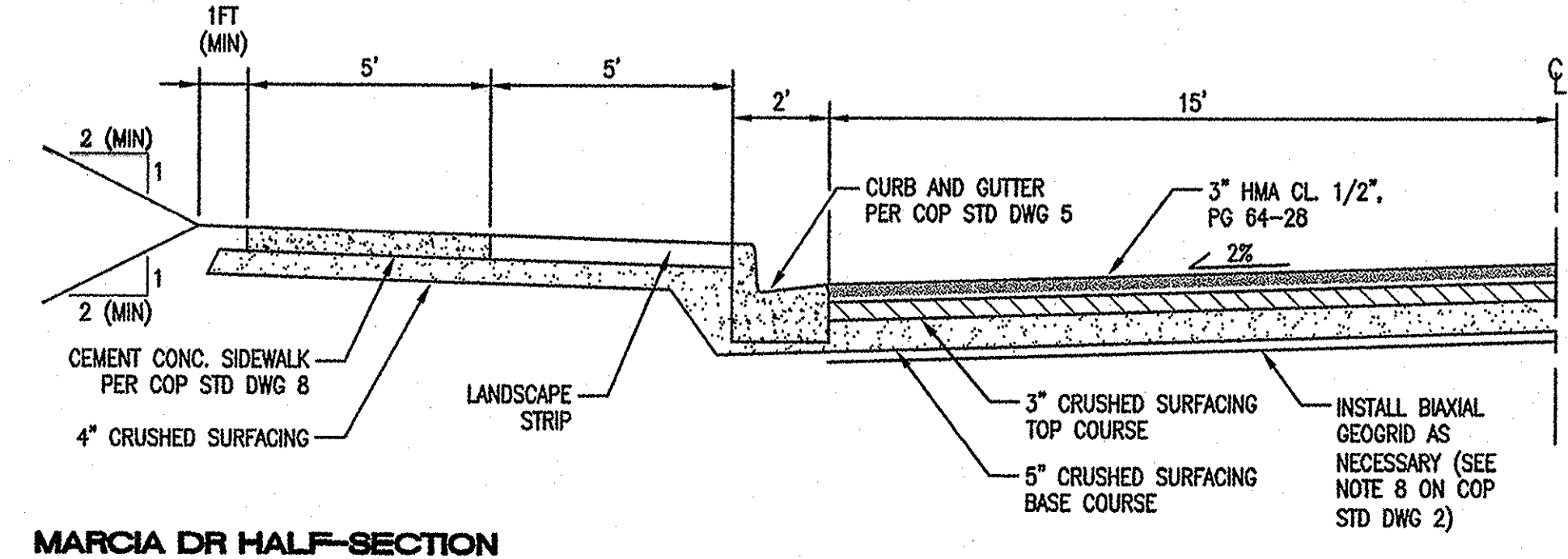
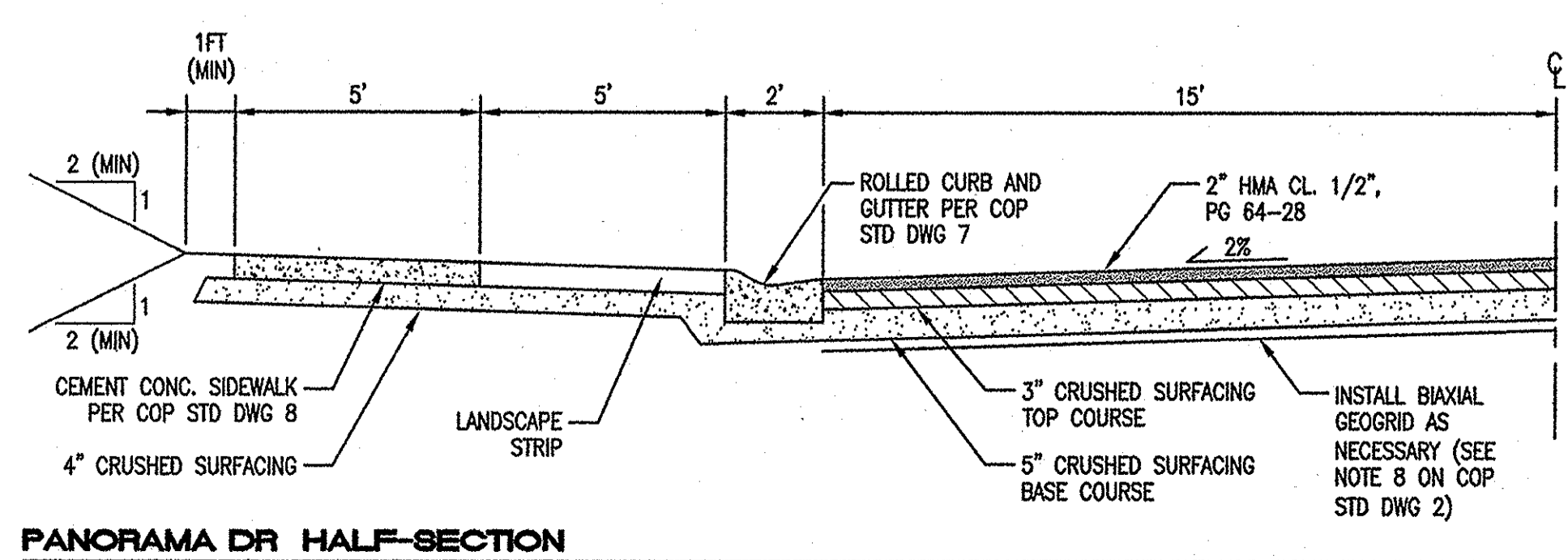
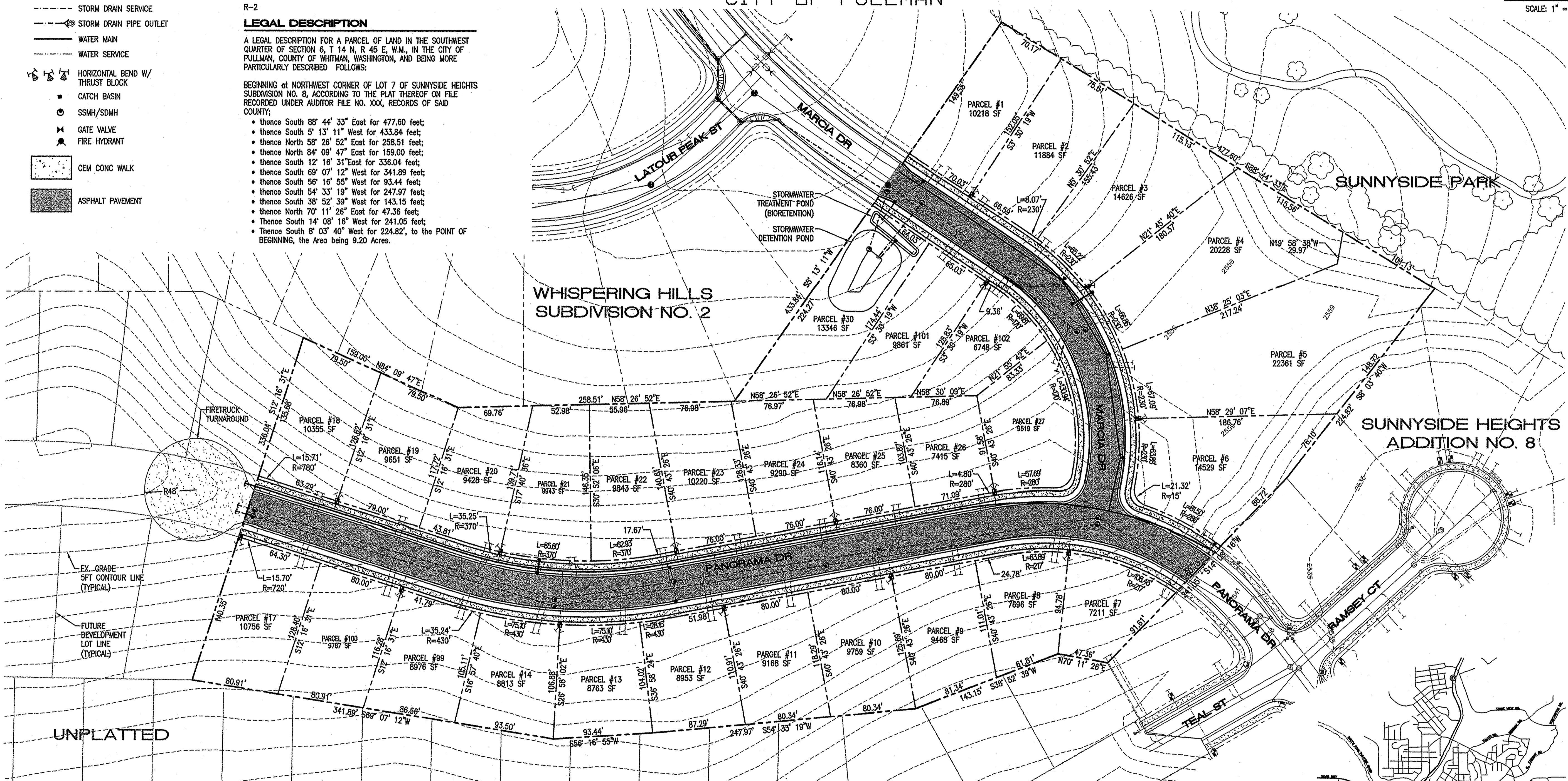
R-2

LEGAL DESCRIPTION

A LEGAL DESCRIPTION FOR A PARCEL OF LAND IN THE SOUTHWEST QUARTER OF SECTION 6, T.14 N., R.45 E. W.M., IN THE CITY OF PULLMAN, COUNTY OF WHITMAN, WASHINGTON, AND BEING MORE PARTICULARLY DESCRIBED FOLLOWS:

BEGINNING AT NORTHWEST CORNER OF LOT 7 OF SUNNYSIDE HEIGHTS SUBDIVISION NO. 8, ACCORDING TO THE PLAT THEREON ON FILE RECORDED UNDER AUDITOR FILE NO. XXX, RECORDS OF SAID COUNTY;

- thence South 88° 44' 33" East for 477.60 feet;
- thence South 5° 13' 11" West for 433.84 feet;
- thence North 58° 26' 52" East for 258.51 feet;
- thence North 84° 09' 47" East for 159.00 feet;
- thence South 12° 16' 31" East for 336.04 feet;
- thence South 69° 07' 12" West for 341.89 feet;
- thence South 56° 16' 55" West for 93.44 feet;
- thence South 54° 33' 19" West for 247.97 feet;
- thence South 38° 52' 39" West for 143.15 feet;
- thence North 70° 11' 26" East for 47.36 feet;
- thence South 14° 08' 16" West for 241.05 feet;
- thence South 8° 03' 40" West for 224.82', to the POINT OF BEGINNING, the Area being 9.20 Acres.



Itani Development III
1515 SW Washington DR
Pullman, WA 99163
ph 509-338-5147
fax 509-332-2880

PRELIMINARY
NOT FOR
CONSTRUCTION

REV. NO.	DATE	DESCRIPTION

PROJECT: 13002
SUBMITTAL: PRELIM. PLAT

SUNNYSIDE HEIGHTS
ADDITION NO. 10
PRELIMINARY PLAT

DESIGN: RRI
DRAFT: RRI
CHECK: RRI
DATE: 08/24/2016
SCALE: 1"=50'
sheet: 1

File: C:\P\PROJ\530205\530205-10-10-16-10-16-16.dwg Date: 25-Aug-16 10:36:45am